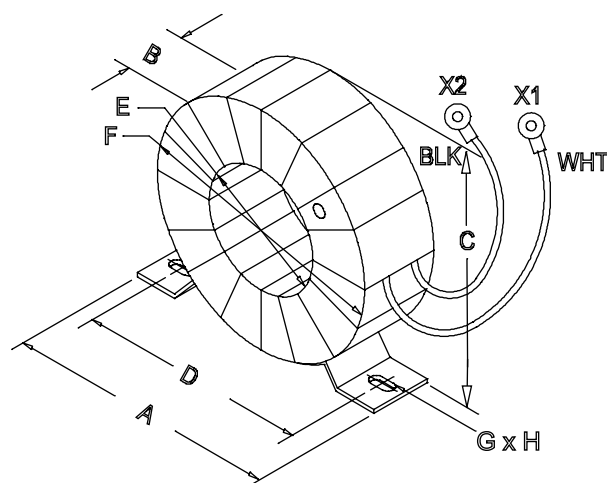


# Current Transformers - Indoor Toroidal (CT Series)



## SMALL CURRENT TRANSFORMERS

- Toroidal design.
- Supplied with 24" insulated secondary leads, terminated with crimped ring connectors.
- Suitable for use with bare (uninsulated) primary conductor in circuits up to 600 V (4 KV Hi pot); or at higher voltages when a suitably insulated conductor is used.
- All units have 5 A secondary for use with standard AC ammeters with 5 A movements.
- Two hole mounting bracket on all models.

Part No.	Current Ratio Pri./Sec.	Accuracy %	Burden VA	Dimensions (Inches)						Mtg. Slots		Ship Wt. Lb.
				A	B	C	D	E	F	G	H	
<b>CT50A</b>	50:5	3.2	2	3.75	1.75	3.25	3.00	0.87	2.87	.22	.37	1.3
<b>CT60A</b>	60:5	2.4	2	3.75	1.75	3.25	3.00	0.87	2.87	.22	.37	1.4
<b>CT75A</b>	75:5	2.0	2	3.75	1.75	3.25	3.00	0.87	2.87	.22	.37	1.5
<b>CT100A</b>	100:5	2.0	2	3.75	1.75	3.25	3.00	1.20	2.87	.22	.37	1.1
<b>CT150A</b>	150:5	1.2	2	3.75	1.75	3.25	3.00	1.20	2.87	.22	.37	1.4
<b>CT200A</b>	200:5	1.2	2	4.75	1.75	4.25	4.00	2.20	3.87	.22	.37	1.7
<b>CT250A</b>	250:5	0.6	2	4.75	1.75	4.25	4.00	2.20	3.87	.22	.37	1.7
		1.2	5									
<b>CT300A</b>	300:5	0.6	2	4.75	1.75	4.25	4.00	2.20	3.87	.22	.37	1.8
		1.2	10									
<b>CT400A</b>	400:5	0.6	2	4.75	1.75	4.25	4.00	2.20	3.87	.22	.37	1.8
		1.2	10									
<b>CT500A</b>	500:5	0.3	2	4.75	1.75	4.25	4.00	2.20	3.87	.22	.37	1.8
		1.2	20									
<b>CT600A</b>	600:5	0.3	2	6.00	1.75	5.25	5.25	3.50	5.12	.28	.37	2.5
		1.2	20									
<b>CT800A</b>	800:5	0.3	5	6.00	1.75	5.25	5.25	3.50	5.12	.28	.37	2.8
		1.2	50									
<b>CT1000A</b>	1000:5	0.3	5	7.00	1.75	6.25	6.25	4.50	6.12	.28	.37	3.3
		1.2	50									
<b>CT1200A</b>	1200:5	0.3	10	8.00	1.75	7.25	7.25	5.50	7.12	.28	.37	3.8
		1.2	50									

